



Double Wall Oven

- 9.4 cu. ft. Total Capacity (4.7 cu. ft. Upper & Lower)
- InstaView® + WideView™ Window
- Air Fry (Upper)
- Steam Bake and Steam Sous Vide (Upper)
- EasyClean® + Self Clean
- True Convection Technology
- 4 Heavy Duty Racks and 2 Gliding Racks
- Temperature Probe
- 7" Color LCD Glass Touch Display
- Optional Flush Installation
- Trim Kit Included
- LG ThinQ® Technology (Wi-Fi)



COLOR AVAILABILITY

WDES9428F – PrintProof™ Stainless Steel

CAPACITY

| | |
|---------------------|-------------------|
| Oven Capacity | 9.4 cu. ft. Total |
| Upper Oven Capacity | 4.7 cu. ft. |
| Lower Oven Capacity | 4.7 cu. ft. |

CONTROLS

| | |
|----------------------------------|----------------------------|
| Oven Control Type | 7" Color LCD Touch Display |
| Language | English - Spanish - French |
| Clock | 12 hr or 24 hr (option) |
| Kitchen Timer | Yes |
| Temperature Unit of Measure | °F or °C |
| Cooking Complete Reminder Volume | High, Low, Off |

UPPER OVEN FEATURES

| | |
|--------------------------|-------------------------------------|
| EasyClean® | Yes |
| Self Clean | Yes |
| Variable Cleaning Time | Yes (3, 4, 5 hrs.) |
| Oven Racks | 1 Gliding, 2 Heavy Duty |
| Number of Rack Positions | 5 |
| Temperature Probe | Yes |
| True Convection | Yes |
| Convection Conversion | Yes |
| Convection Element | Yes (2,000 W) |
| Built-in Air Fry | Yes (Air Fry Tray Included) |
| Variable Broil | Yes (Full, Center / High, Med, Low) |
| Broil Element | Inner: 2,500 W Outer: 1,500 W |
| Broil Element Type | 8-Pass |
| Bake Element | 2,500 W |
| Bake Element Type | Hidden (8-Pass) |
| Steam Sous Vide | Yes |
| Steam Bake | Yes |
| Steam Element | 1,960 W |

UPPER OVEN FEATURES (CONTINUED)

| | |
|---------------------------|--|
| Proof | Yes |
| Oven Cooking Modes | Bake / Conv. Bake / Conv. Roast / Broil / Air Fry / Warm / Proof / Steam Cook (Steam Bake, Sous-Vide) / Auto Cook / Favorite / Clean (Self Clean, Easy Clean, Steam Maintenance) |
| Automatic Safety Shut-Off | After 12 Hours |
| Oven Lights | 2 Halogen |
| Variable Warm | Yes (High, Med, Low) |

LOWER OVEN FEATURES

| | |
|---------------------------|--|
| EasyClean® | Yes |
| Self Clean | Yes |
| Variable Cleaning Time | Yes (3, 4, 5 hrs) |
| Oven Racks | 1 Gliding, 2 Heavy Duty |
| Number of Rack Positions | 5 |
| Temperature Probe | Yes |
| True Convection | Yes |
| Convection Conversion | Yes |
| Convection Element | Yes (2,000 Watts) |
| Built-in Air Fry | No |
| Variable Broil | Yes (Full, Center/High, Med, Low) |
| Broil Element | Inner: 2,500 W Outer: 1,500 W |
| Broil Element Type | 8-Pass |
| Bake Element | Yes (2,500 W) |
| Bake Element Type | Hidden (8-Pass) |
| Steam Element | No |
| Proof | Yes |
| Oven Cooking Modes | Bake / Conv. Bake / Conv. Roast / Broil / Roast / Warm / Proof / Auto Cook / Favorite / Clean (Self Clean, Easy Clean) |
| Automatic Safety Shut-Off | Yes |
| Oven Lights | 2 Halogen |
| Variable Warm | Yes (High, Med, Low) |

CONVENIENCE

| | |
|---------------|------------------------|
| ADA Compliant | No |
| Sabbath Mode | Yes (Star-K-Certified) |

SMART FEATURES

| | |
|-------------------------------------|--------------------------------|
| Wi-Fi Enabled | Yes |
| ThinQ® Technology | Yes |
| ThinQ Care | Yes |
| Voice Control | Google Assistant, Amazon Alexa |
| SmartDiagnosis™ | Yes |
| Smart Recipe (3rd Party Recipe App) | Yes (SideChef) |

FINISHES AND APPEARANCE

| | |
|---|-------------------------------|
| Fingerprint & Smudge Resistant Exterior | Yes |
| Handle Finish | Stainless Steel Appearance |
| Oven Door Feature | InstaView® + WideView™ Window |

TECHNICAL SPECS

| | |
|-------------------------|--------------------------|
| Required Power Supply | 240/208V, 60Hz, 4-Wire |
| Minimum Circuit Breaker | 40 Amp |
| kW Rating at 240V | 6.1 kW |
| Power Outlet Location | See Installation Diagram |

INCLUDED ACCESSORIES

Broiler Pan & Grid, Meat Probe, 4 Heavy Duty Racks, 2 Gliding Racks, Air Fry Tray, EasyClean® Kit (Spray Bottle & Scouring Pad), Trim Kit

DIMENSIONS

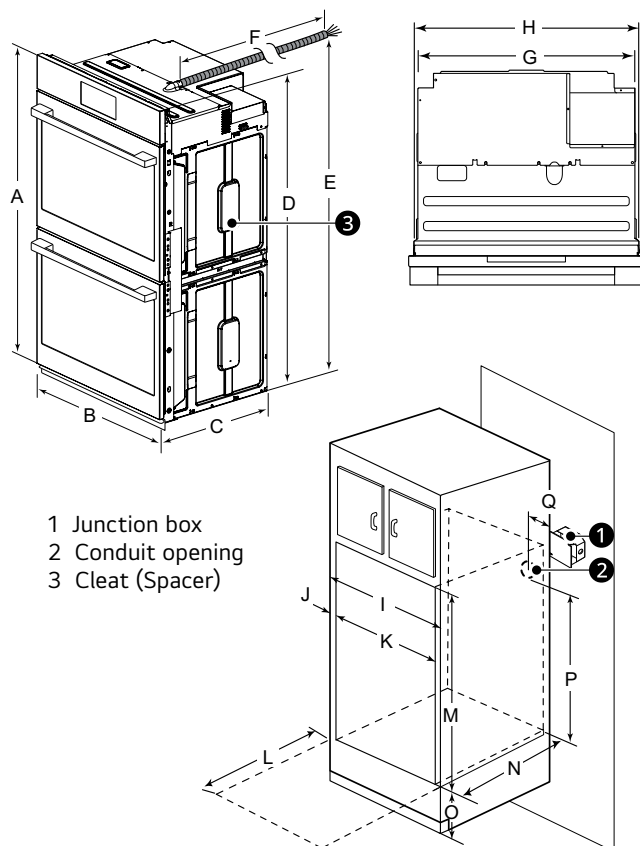
| | |
|---------------------------------------|--|
| Product Dimensions (W x H x D) | 29 3/4" x 52 1/16" x 24 15/32" without handle (depth with handle 26 29/32") |
| Minimum Cutout Dimensions (W x H x D) | Standard: 28 1/2" x 51 13/16" x 24" Flush: 30" x 52 5/16" x 25" |
| Carton Dimensions (W x H x D) | 34" x 57" x 30" |
| Approx. Weight (Product / Carton) | 238 lbs. / 302 lbs. |

LIMITED WARRANTY

| | |
|-----------------|---------|
| Parts and Labor | 2 Years |
|-----------------|---------|

DIMENSIONS / CLEARANCES

Measure the current cutout dimensions and compare them to the cutout dimensions shown below. Little or no cabinet work may be necessary.



DIMENSIONS / CLEARANCES

| | | |
|---|--|--|
| A | Height | 52 1/16" (132.3 cm) |
| B | Width | 29 3/4" (75.5 cm) |
| C | Depth | 23 3/8" (59.3 cm) |
| D | Height (standard installation) | 51 9/16" (131.0 cm) |
| E | Height (power cord) | 50 5/16" (127.7 cm) |
| F | Length (power cord) | 60" (152.4 cm) |
| G | Width (back) | 27 3/8" (69.3 mm) |
| H | Width (standard installation) | 28 7/16" (72.2 cm) |
| I | Cabinet width | 30" (76.2 cm) |
| J | Overlap of oven | 1" (2.5 cm) |
| K | Cutout width | 28 1/2" Min. (72.4 cm) 28 5/8" Max. (72.7 cm) |
| L | Depth of open door | 23" (58.4 cm) |
| M | Cutout height | 51 13/16" Min. (131.6 cm) 51 15/16" Max. (131.9 cm) |
| N | Cutout depth | 24" Min. (61.0 cm) |
| O | Cutout location from floor | 12" (30.5 cm) |
| P | Height of conduit opening from floor of cutout | 47" (119.4 cm) |
| Q | Distance of conduit opening from side of cabinet | 5" (12.7 cm) |

SEE INSTALLATION NOTES ON NEXT PAGE

DIMENSIONS / CLEARANCES

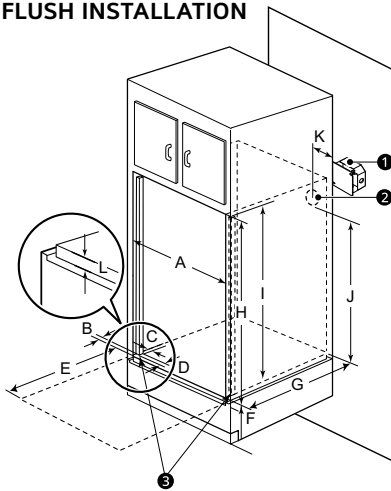
INSTALLATION NOTES

- The cabinet base platform must be able to support 325 lbs (147 kg). If the cabinet does not have a solid bottom, two braces or runners must be installed level with the bottom of the cutout to support the weight of the oven. Make sure the base is level and the front of the cabinet is square. If the cabinet base is not level, the oven racks will tend to slide out when opening the door.
- Make sure the cabinets and wall coverings around the oven can withstand the temperature (up to 194° (90°)) generated by the oven. Discoloration, delamination or melting may occur.
- Kitchen cabinets in contact with the oven must be heat resistant up to 194°F (90°C), and fronts of nearby units up to at least 158°F (70°C).
- DO NOT remove spacers (3) on the side walls of the built-in oven. These spacers center the oven in the space provided. The oven must be centered to prevent excess heat buildup that may result in heat damage or fire.
- DO NOT put any weight on the oven door. Never allow anyone to climb, sit, stand or hang on the oven door. The oven could be tipped and injury might result from contact with hot food or the oven itself.
- DO NOT block the oven air exhaust located at the bottom of the oven. Blocking the exhaust may cause cabinet damage and product malfunction.

NOTE

- If marks, blemishes or the cutout opening are visible above the installed appliance, it may be necessary to add wood shims under the runners and front trim until the marks or opening are covered.
- If the cabinet does not have a front frame and the sides are less than 3/4" (1.9 cm) thick, shim both sides equally to establish the cutout width.
- The junction box (1) must be flush with the conduit opening (2) of the cabinet as shown.
- Allow at least a 23" clearance for the door depth when it is open.

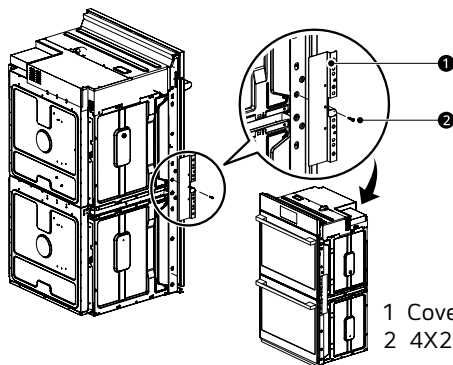
FLUSH INSTALLATION



- 1 Junction box
- 2 Conduit opening
- 3 Cleat (Spacer)

DIMENSIONS / CLEARANCES

| | | |
|---|--|---------------------|
| A | Cutout width | 30" (76.2 cm) |
| B | Cleat (spacer) inset from front of cabinet | 1 3/8" (3.5 cm) |
| C | Cleat (spacer) width | 3/16" (0.5 cm) |
| D | Cleat (spacer) depth | 1" (2.5 cm) |
| E | Depth of open door | 23" (58.4 cm) |
| F | Bottom of cutout from floor | 12" (30.5 cm) |
| G | Cutout depth | 25" (63.5 cm) |
| H | Cutout height | 52 5/16" (132.9 cm) |
| I | Cleat (spacer) height | 51 9/32" (130.3 cm) |
| J | Height of conduit opening from floor of cutout | 47" (119.4 cm) |
| K | Distance of conduit opening from side of cabinet | 5" (12.7 cm) |
| L | Bottom of vent trim (Decor) to vent opening | 1 1/8" (2.9 cm) |



- 1 Cover Bracket
- 2 4X22 Tapping Screw

WHEN INSTALLING FLUSH CABINET

- The provided cover brackets are only used for flush cabinet installations.
- Remove one screw from the left and right sides as shown. These screw holes will be used to mount the cover brackets. Install the cover brackets on the sides of the oven with the provided self-tapping screws.

